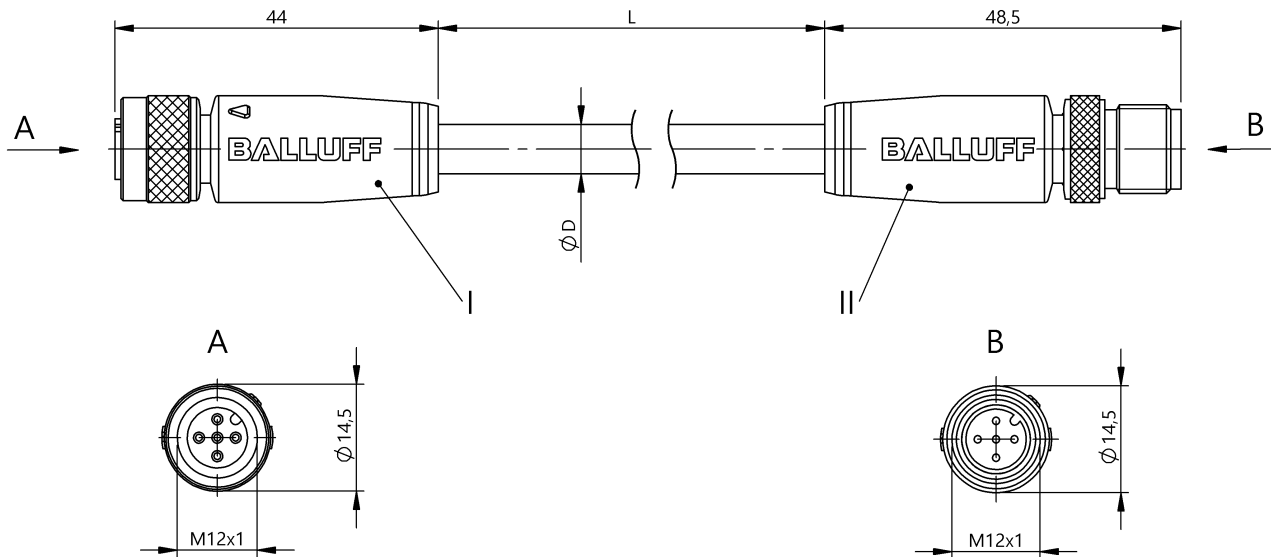


Double-Ended Cordsets  
**BCC M415-M415-3A-330-PS85N6-010**  
 Order Code: BCC0ERZ

**BALLUFF**



**Basic features**

<b>Application</b>	DeviceNet Thin
<b>Approval/Conformity</b>	CE cULus WEEE

**Electrical connection**

<b>Bending radius min., flexible cable</b>	10 x D
<b>Cable</b>	PUR Shielded gray, 1 m, drag chain compatible
<b>Cable diameter D</b>	7.60 mm ±0.25 mm
<b>Cable, bending cycles min.</b>	1 mil.
<b>Conductor cross-section</b>	22 AWG/24 AWG
<b>Connection 1</b>	M12x1-Female, straight, 5-pin, A-coded
<b>Connection 2</b>	M12x1-Male, straight, 5-pin, A-coded
<b>Number of conductors</b>	4
<b>System</b>	Molded/Molded

**Electrical data**

<b>Cable rated voltage AC max.</b>	300 V
<b>Cable rated voltage DC max.</b>	300 V
<b>Conductor construction</b>	2x2 twisted-pair
<b>Operating voltage Ub</b>	60 VDC / 60 VAC
<b>Rated current (40 °C)</b>	4.0 A
<b>Surge impedance</b>	120 Ohm ±12 Ohm

**Remarks**

Bulk cable approval per UL-AWM 20626 or CSA AWM I/II A/B 80°C 300V FT1  
 Enclosure rating per IEC 60529 or 20653, only in screwed state with the associated mating piece.

**Environmental conditions**

<b>IP rating</b>	IP67, IP68, IP69K/IP67, IP68, IP69K
------------------	-------------------------------------

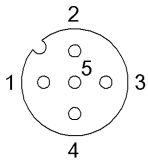
**Material**

<b>Cable jacket material, note</b>	Shielded
<b>Cable jacket, material</b>	PUR
<b>Cable shield</b>	Aluminum foil and copper braid
<b>Material contact carrier</b>	PUR/PUR
<b>Material contacts</b>	Bronze/Brass
<b>Material cover nut</b>	Die-cast zinc/Die-cast zinc
<b>Material grip</b>	PUR/PUR

**Mechanical data**

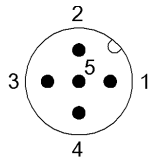
<b>Cable jacket, color</b>	gray
<b>Cable length L</b>	1.00 m
<b>Cable properties</b>	drag chain compatible
<b>Tightening torque pigtail</b>	0.6 Nm/0.6 Nm

## Connector Drawings



I

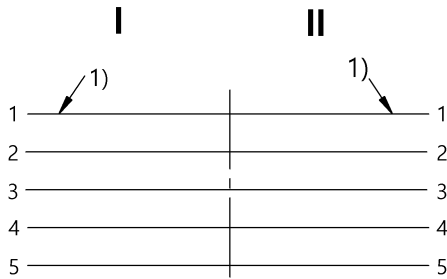
- PIN 1: shield
- PIN 2: red (AWG22)
- PIN 3: black (AWG22)
- PIN 4: white (AWG24)
- PIN 5 blue (AWG24)



II

- PIN 1: shield
- PIN 2: red (AWG22)
- PIN 3: black (AWG22)
- PIN 4: white (AWG24)
- PIN 5 blue (AWG24)

## Wiring Diagrams



1) Shield on PIN 1